

### SPECIFICATIONS

**Material:** HEXSEALS: Silicone rubber conforms to ZZ-R-765 Class III, GR 50 (unless otherwise specified)

**Mounting Nut:** HEXSEALS: Brass, nickel-plated

**Temperature Range:** HEXSEALS: -94°F to +400°F

**Pressure Range:** Exceeds 15 psi internal and 1500 psi external.  
(N5032B: 10 psi)

**Operational Life:** 50,000 actuations (minimum).

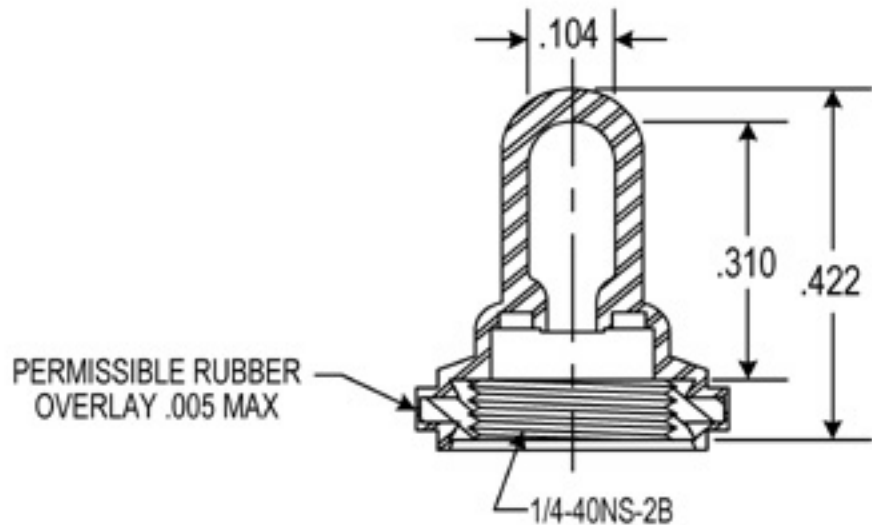
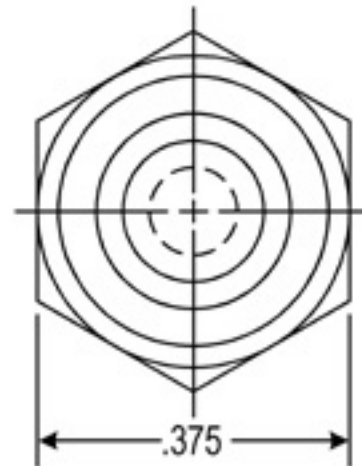
**Shelf Life:** Excess of 25 years.

**Resistant to:** Salt spray, sunlight, ozone, weather, fungus, and most acids and lubricating oils

**Military Approvals:** Most HEXSEALS are QPL-approved to MIL-B-5423.

**Agency Recognition:** E-SEELS and HEXSEALS are UL-listed to UL Std. 50 types 1-13, and meet CSA standards.

**Installation:** If a reducing adaptor is required - see page 14 of HEXSEAL catalog HEX200 for part numbers and drawing.



B	CAD COMPUTER GENERATED		9-19-02
A	MODIFIED	R.C.	11-16-74
REV.	DESCRIPTION		DATE
MAXIMUM AND MINIMUM MEASUREMENTS ARE STATED DIRECTLY ON EACH DIMENSION.		ENG.	
MAT'L: SILICONE RUBBER PER ZZ-R-765 CLIII GR50	TITLE: BOOT, TOGGLE, TOTALLY ENCLOSING (N-5030)	DWN.	S. ANDREWS 12-9-59
FINISH: GRAY		CHKD.	
	APM-HEXSEAL CORPORATION	SCALE 4:1	DWG. NO. (N-5030) HEXSEAL®

THIS DRAWING COVERS PROPRIETARY ITEM AND IS THE PROPERTY OF THE APM-HEXSEAL CORPORATION.  
THIS DRAWING IS NOT TO BE COPIED OR USED WITHOUT THE WRITTEN APPROVAL OF AN OFFICER OF THE APM-HEXSEAL CORPORATION.